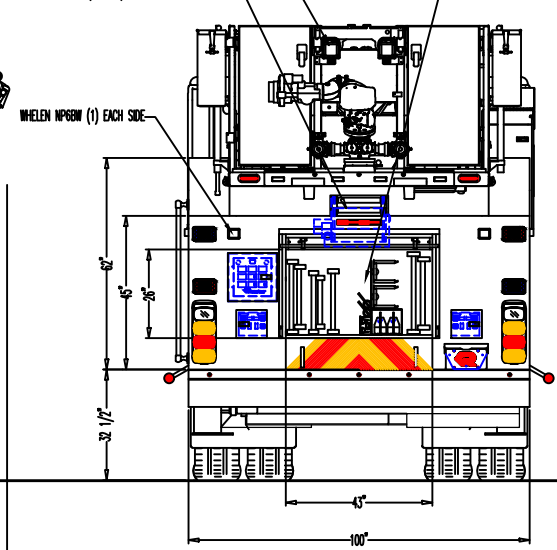


- STORED IN TORQUE BOX
- 35' DUD-SAFETY 2-SECTION
- 24' DUD-SAFETY 2-SECTION
- 14' DUD-SAFETY 2-SECTION
- 16' DUD-SAFETY ROOF
- 10' DUD-SAFETY FOLDING
- TWO (2) 6' PINE POLES
- TWO (2) 8' TRASH HOOKS
- TWO (2) 10' DRY WALL HOOKS



NOTES:

- OVERALL HEIGHT IS IN LOADED CONDITION. UNLOADED HEIGHTS MAY BE 4" ABOVE HEIGHTS SHOWN.
- DO NOT SCALE DRAWING.
- ALL DIMENSIONS ARE APPROXIMATE AND SUBJECT TO ENGINEERING CHANGES.
- DRAWING MAY OR MAY NOT SHOW ALL ITEMS AS DESCRIBED IN THE WRITTEN DETAIL SPECIFICATIONS.
- INCLUSION OF AN ITEM ON THE DRAWING DOES NOT CONSTITUTE INCLUSION OF THAT ITEM WITH THE FINAL DELIVERED UNIT.

REVISED: CRL DATE: 08-31-2017 - REV. 13
 REVISED: CRL DATE: 08-17-2017 - REV. 12
 REVISED: CRL DATE: 08-03-2017 - REV. 11
 DRAWN: DTW DATE: 05-15-2015 (PS228-09)

PROPRIETARY AND CONFIDENTIAL
 THE INFORMATION CONTAINED IN THIS DRAWING IS
 THE SOLE PROPERTY OF ROSENBAUER. ANY
 REPRODUCTION IN PART OR AS A WHOLE WITHOUT
 THE WRITTEN PERMISSION OF ROSENBAUER IS
 PROHIBITED.

APPROVED BY:		CHASSIS: ROSENBAUER R6511
MAXIMUM HEIGHT	NONE	PUMP: N/A
MAXIMUM LENGTH	NONE	TANK: N/A
BODY WIDTH	100"	TYPE: AERIAL PLATFORM
		AERIAL: 100' MM PLATFORM

PEORIA FIRE

ROSENBAUER EXT	
JOB NUMBER 74337	DRAWING NUMBER P5891
REV 13	